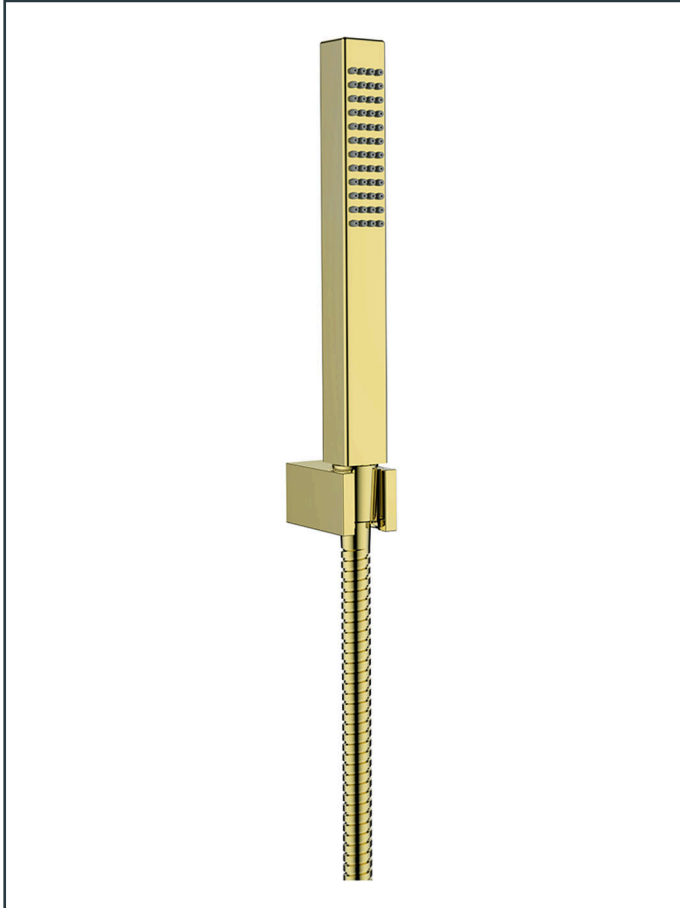



**SPECIFICATION SHEET**



**Photo**



**Product Information**

<b>Item Descriptions:</b>	Hand shower with 1500 mm hose and holder
<b>Model:</b>	TS+
<b>Article No:</b>	TRS0090.SNG
<b>Material:</b>	Brass
<b>Brand:</b>	TREDEX
<b>Finish:</b>	The colour / finish may vary on actual  Shiny Neutral Gold_SNG 

**Specifications:**

Brass shower set with 1500 mm stainless steel double lock shower hose. Brass holder. With flow rate (at 3 bar) 6.19 l/min.

- 
**Perma Shine**  
 Durable, long lasting brilliant finish ensuring a high gloss, mirror-like shine.
- 
**PermaFinish**  
 PVD brilliant and long-lasting finish
- 
**Eco-Mix**  
 Air-infused water provides a luxurious water experience while using lesser water.
- 
**Rain**  
 Comfortable water flow and even cover flow.
- 
**Quick Clean**  
 Enables manual limescale removal.
- 
**Eco-Flo**  
 Water and energy savings for ecological and economical reasons.

**TECHNICAL DRAWING**

